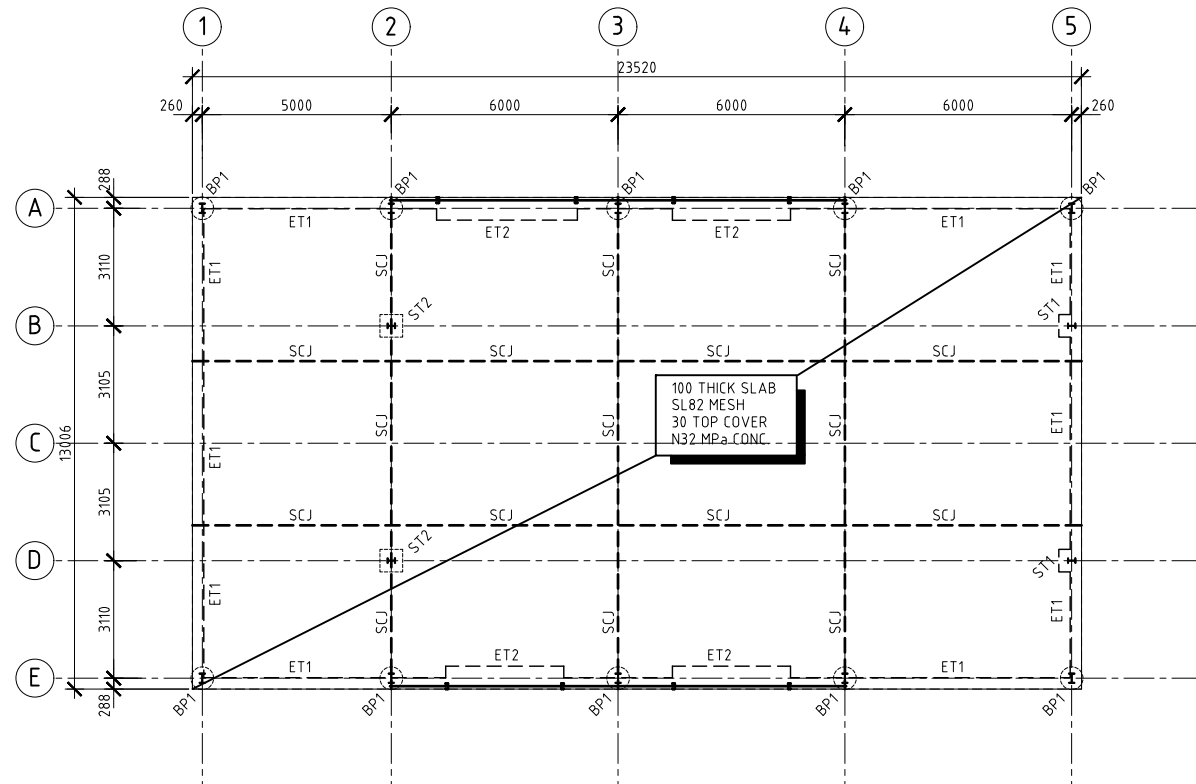


NOT TO SCALE

Revised Shed dimensions for 39 Barang Street Kuranda
For Ngonbi Community Services indigenous Corporation.

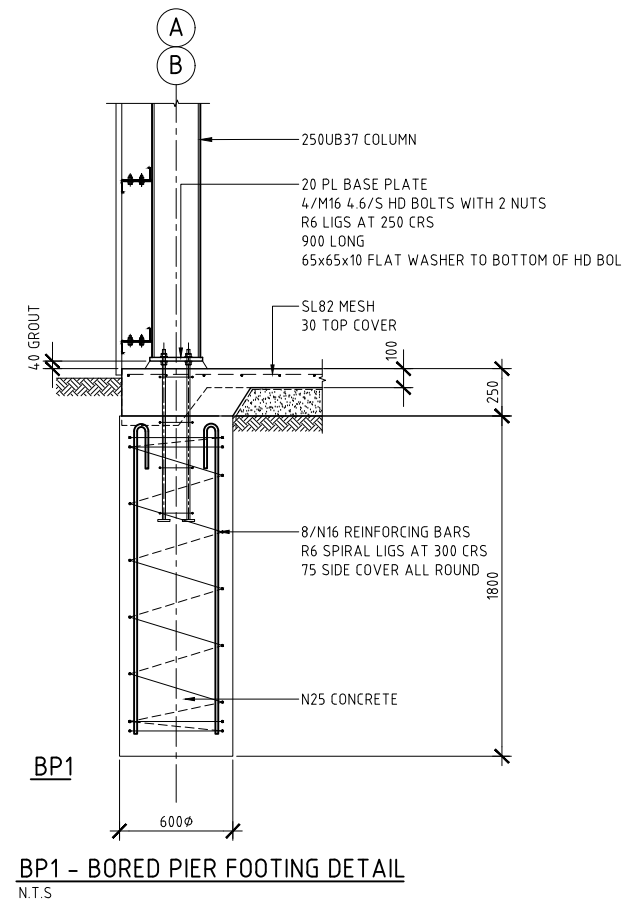
New Shed Sizes main Shed enclosed area 18000mm x 13000mm with 5000mm roofed section only by 13000mm
height of Shed to wall head 3600mm
Main roller door to front 6m x 3m
Roller doors to left side 1/3600W x 3000mmH - 1 / 3000w x 3000mmH
Roller Doors to right side 2/3000w x 3000mmH
No Windows.



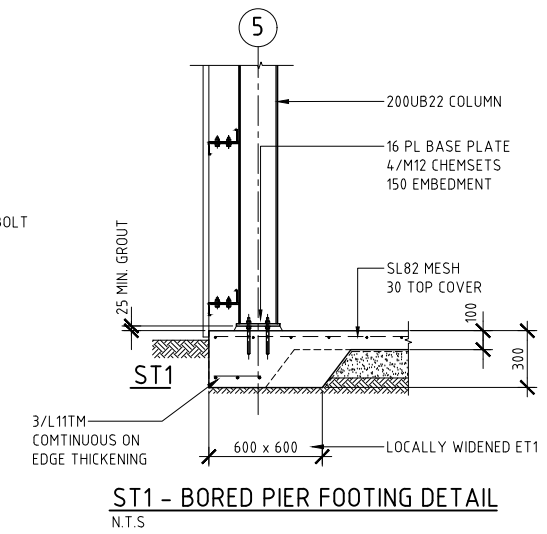
SLAB AND FOOTING PLAN
SCALE 1: 100 AT A1

FOOTING SCHEDULE:

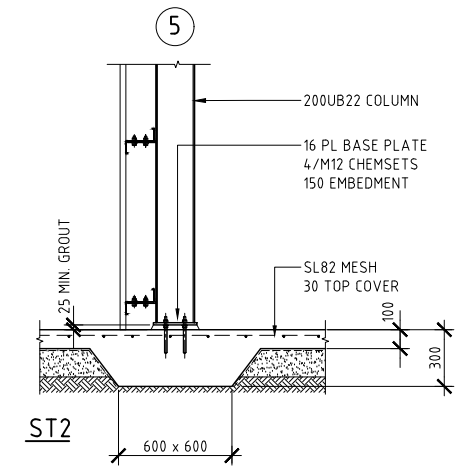
FOOTING	DESCRIPTION	LENGTH	WIDTH	DIAMETER	DEPTH	REINFORCEMENT	CONCRETE
BP1	BORED PIER			600	1800	8/N16 REINF. BAR WITH R6 LIGS @ 300 CRS.	N25
ST1	SLAB THICKENING	600	600		300		N32
ST2	SLAB THICKENING	600	600		300		N32



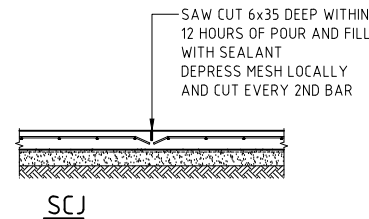
BP1 - BORED PIER FOOTING DETAIL
N.T.S.



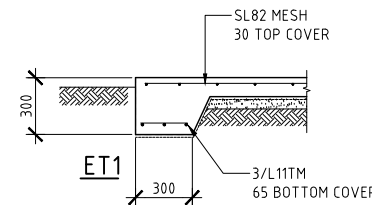
ST1 - BORED PIER FOOTING DETAIL
N.T.S.



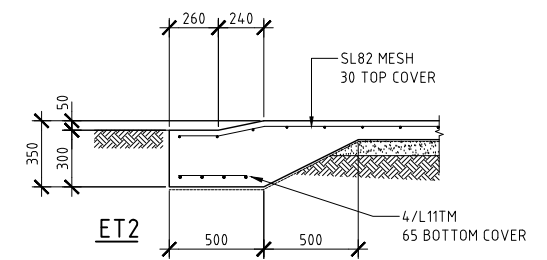
ST2 - BORED PIER FOOTING DETAIL
N.T.S.



SCJ- SAW CUT JOINT DETAIL
N.T.S.



ET1- EDGE THICKENING DETAIL
N.T.S.



ET2- EDGE THICKENING DETAIL
N.T.S.

STATUS		PRELIMINARY	
SCALE	CONTRACTOR	NOTED	
ORIGINAL SHEET SIZE		A1	
REV	DESCRIPTION	DRAWN	DATE
A	PRELIMINARY	MJM	06.04.20

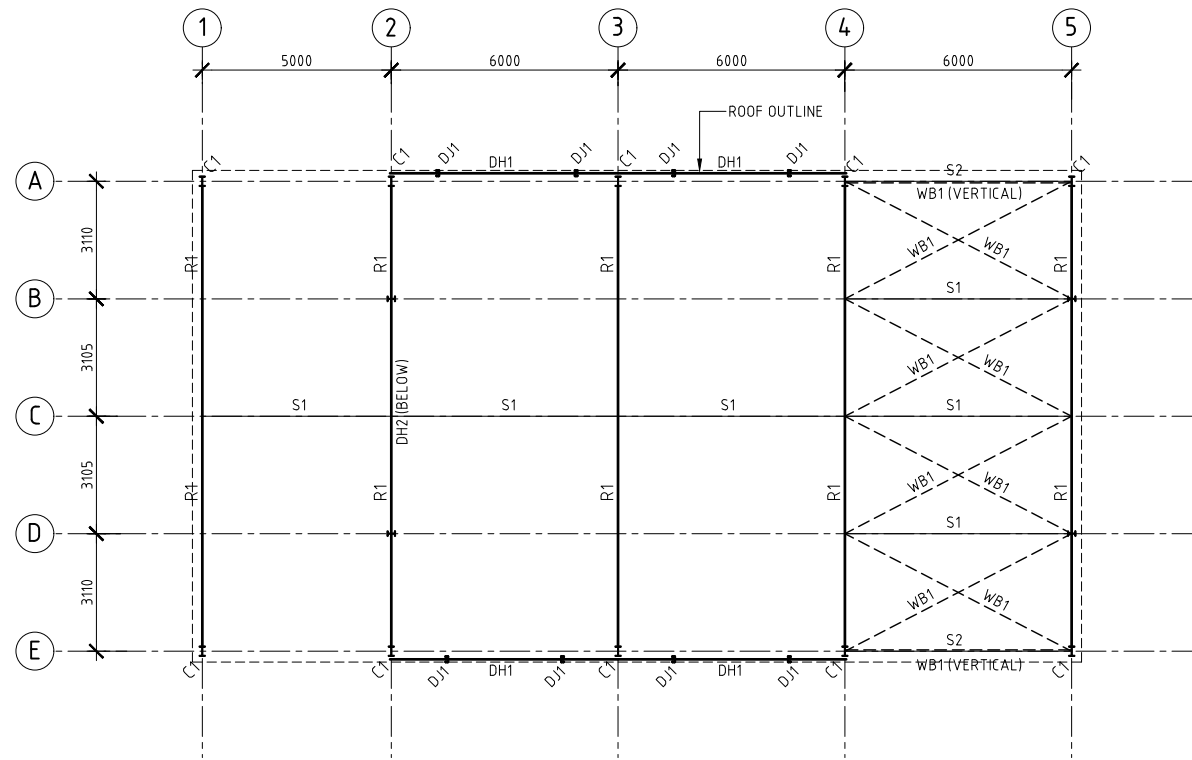
SCALE	CONTRACTOR
NOTED	
ORIGINAL SHEET SIZE	A1

COPYRIGHT
Steve McKenzie Consultant Engineer Pty Ltd.
All rights reserved.
This work is covered by Copyright and cannot be reproduced or copied in any form or by any means (graphic, electronic, mechanical, photocopying or photographic) without the written permission of Steve McKenzie Consultant Engineer Pty Ltd. Any licence, express or implied, to use this document for any purpose whatsoever is restricted to the terms of the written agreement between Steve McKenzie Consultant Engineer Pty Ltd and the instructing party.

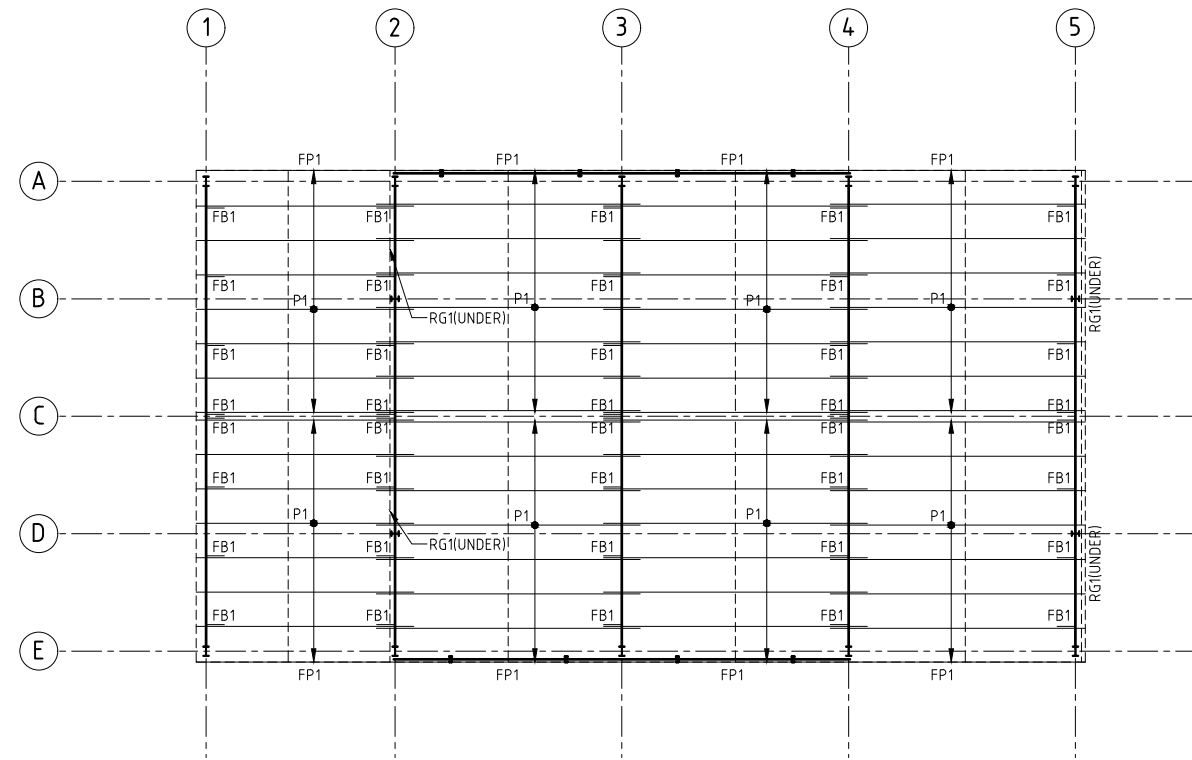
smce
STEVE MCKENZIE CONSULTANT ENGINEER
ACN 492 795 134
18 Ingham Rd West End Qld 4810
T (07) 4724 4551
PO Box 3425 Hermit Park Qld 4812
F (07) 4724 1987
E admin@smce.net.au

CLIENT: WAYNE JENSEN
PROJECT: PROPOSED SHED 39 BARANG STREET KURANDA

DRAWING NAME				SLAB AND FOOTING PLAN AND FOOTING DETAILS		
SIGNED:		RPEQ No. 4956		DATE:		
TASK	BY	INITIAL	DATE	PROJECT NUMBER	DRAWING NUMBER	REVISION
REVIEW	SMcK	SM	06.04.20	19195WJ	S01	A
DESIGN	SMcK	SM	06.04.20			
DRAWN	MJM	MJM	06.04.20			



ROOF FRAMING PLAN
SCALE 1: 100 AT A1



ROOF PURLIN PLAN
SCALE 1: 100 AT A1

ROOF FRAMING SCHEDULE:

MEMBER	DESCRIPTION	SIZE
C1	COLUMN	250UB37
C2	COLUMN	200UB22
R1	RAFTER	310UB32
S1	STRUT	75 x 4.0 SHS
S2	STRUT	75 x 5.0 SHS
RB1	ROOF BRACE	65 x 5 EA
WB1	ROOF BRACE	75 x 5 EA
DJ1	DOOR JAMB	CEE15019
DH1	DOOR HEAD	CEE15019
DH2	DOOR HEAD	CEE20019

PURLIN SCHEDULE:

MEMBER	DESCRIPTION	SIZE
P1	ROOF PURLIN	Z20019 @ 920 MAX CRS., ONE ROW BRIDGING 8 PL. CLEATS WELDED TO TOP OF UB RAFTER 2/M12 GR. 4.6/S BOLTS TO EACH ROOF PURLIN
FP1	FASCIA PURLIN	C20019, ONE ROW BRIDGING 8 PL. /65x6 EA CLEATS WELDED TO COLUMN 2/M12 GR. 4.6/S BOLTS TO EACH FASCIA PURLIN
RG1	RAKING GIRT	C10012 TEK SCREW TO UNDERSIDE PURLIN
FB1	FLY BRACE	45 x 5 EA DURAGAL, EVERY SECOND PURLIN M12 GR. 4.6/S BOLT EACH END

STATUS	PRELIMINARY	
SCALE	NOTED	
CONTRACTOR	ORIGINAL SHEET SIZE	
REV	DESCRIPTION	DATE
A	PRELIMINARY	MJM 06.04.20

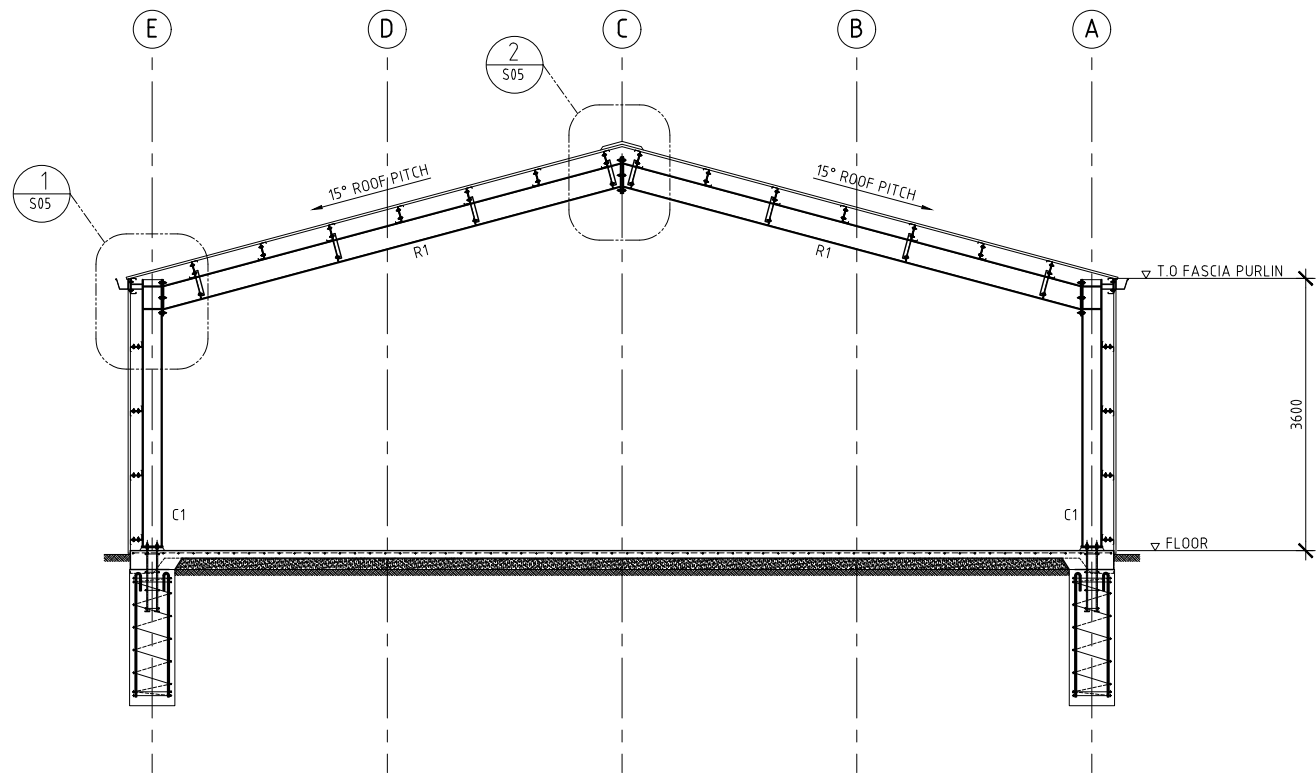
SCALE	CONTRACTOR
NOTED	
ORIGINAL SHEET SIZE	A1

COPYRIGHT
Steve McKenzie Consultant Engineer Pty Ltd.
All rights reserved.
This work is covered by Copyright and cannot be reproduced or copied in any form or by any means (graphic, electronic, mechanical, photocopying or photographic) without the written permission of Steve McKenzie Consultant Engineer Pty Ltd. Any licence, express or implied, to use this document for any purpose whatsoever is restricted to the terms of the written agreement between Steve McKenzie Consultant Engineer Pty Ltd and the instructing party.

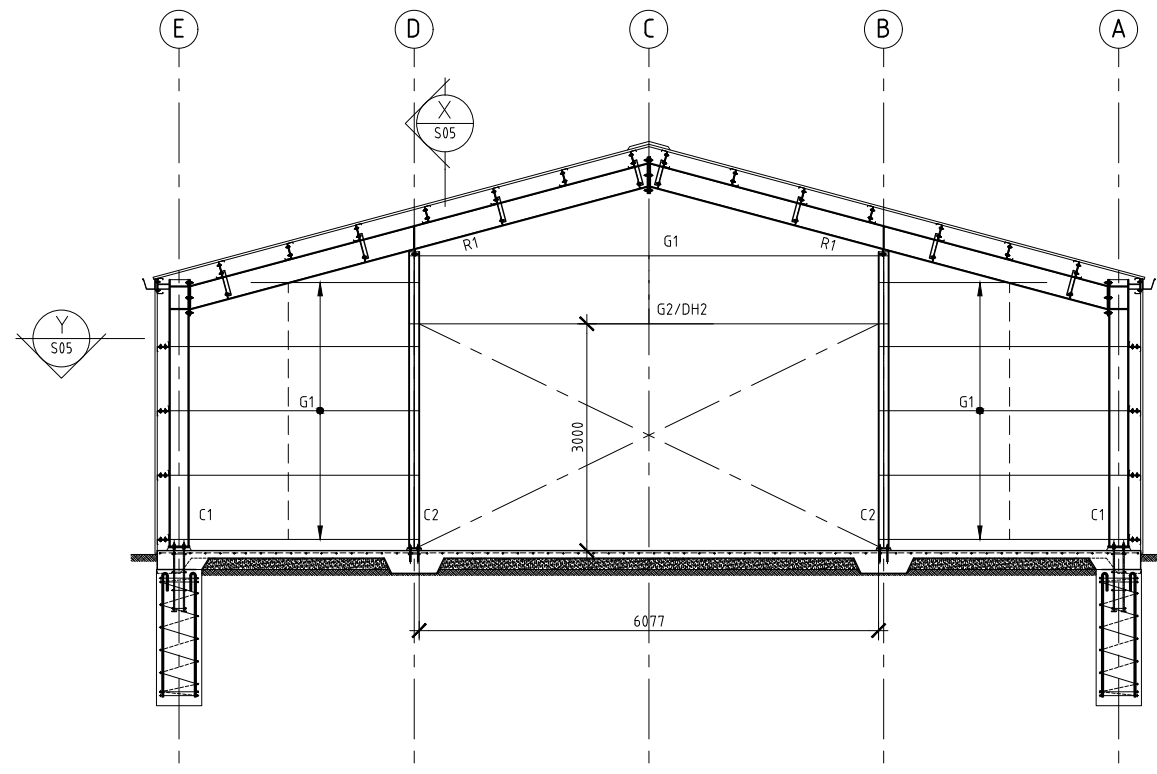
smce
STEVE MCKENZIE CONSULTANT ENGINEER
ACN 092 795 130
18 Ingham Rd West End Qld 4810 T (07) 4724 4551
PO Box 3425 Hermit Park Qld 4812 F (07) 4724 1187 E admin@smce.net.au

CLIENT	WAYNE JENSEN
PROJECT	PROPOSED SHED 39 BARANG STREET KURANDA

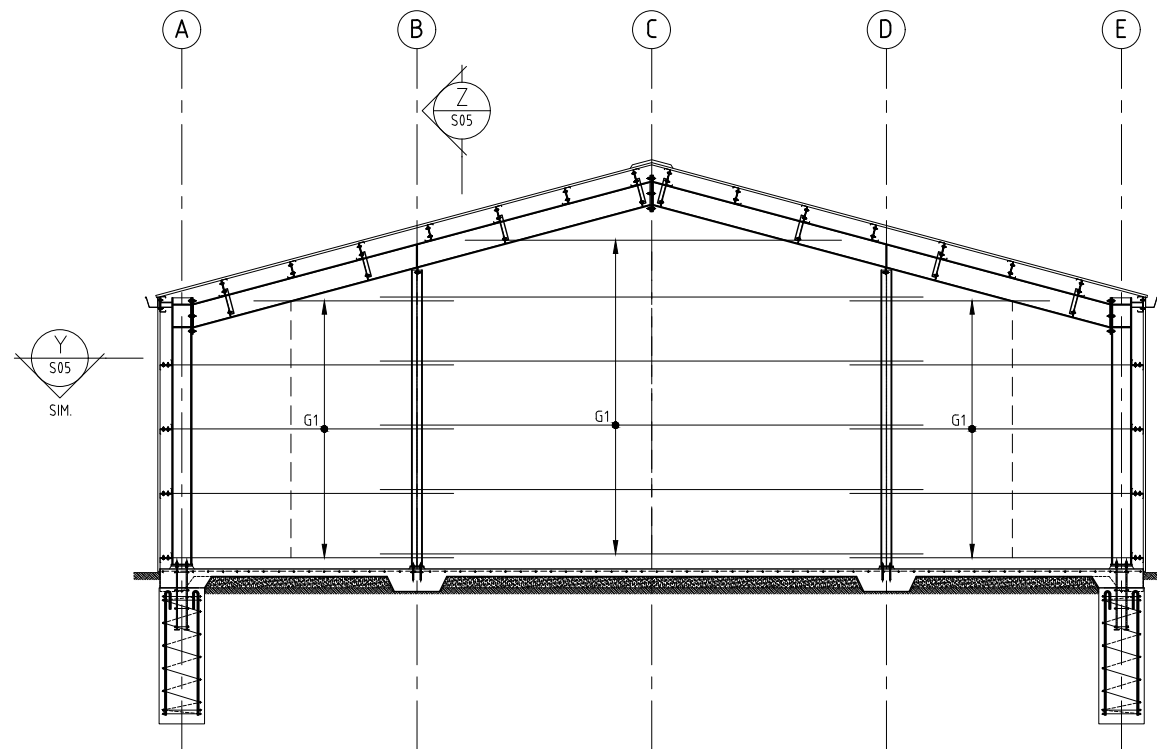
DRAWING NAME				ROOF FRAMING AND PURLIN PLAN		
SIGNED:		RPEQ No. 4956	DATE:			
TASK	BY	INITIAL	DATE	PROJECT NUMBER	DRAWING NUMBER	REVISION
REVIEW	SMcK	SM	06.04.20	19195WJ	S02	A
DESIGN	SMcK	SM	06.04.20			
DRAWN	MJM	MJM	06.04.20			



ELEVATION ON GRIDS 1,3 & 4
SCALE: 1: 100 AT A1



ELEVATION ON GRIDS 2 (LOOKING FROM GRID 5)
SCALE: 1: 100 AT A1



ELEVATION ON GRIDS 5 (LOOKING FROM INSIDE)
SCALE: 1: 100 AT A1

GIRT SCHEDULE:

- G1 - Z15019 @ 1000 MAX. CRS., ONE ROW BRIDGING
- G2 - C15019, ONE ROW BRIDGING
- DH2 - C20019

STATUS		PRELIMINARY	
REV	DESCRIPTION	DRAWN	DATE
A	PRELIMINARY	MJM	06.04.20

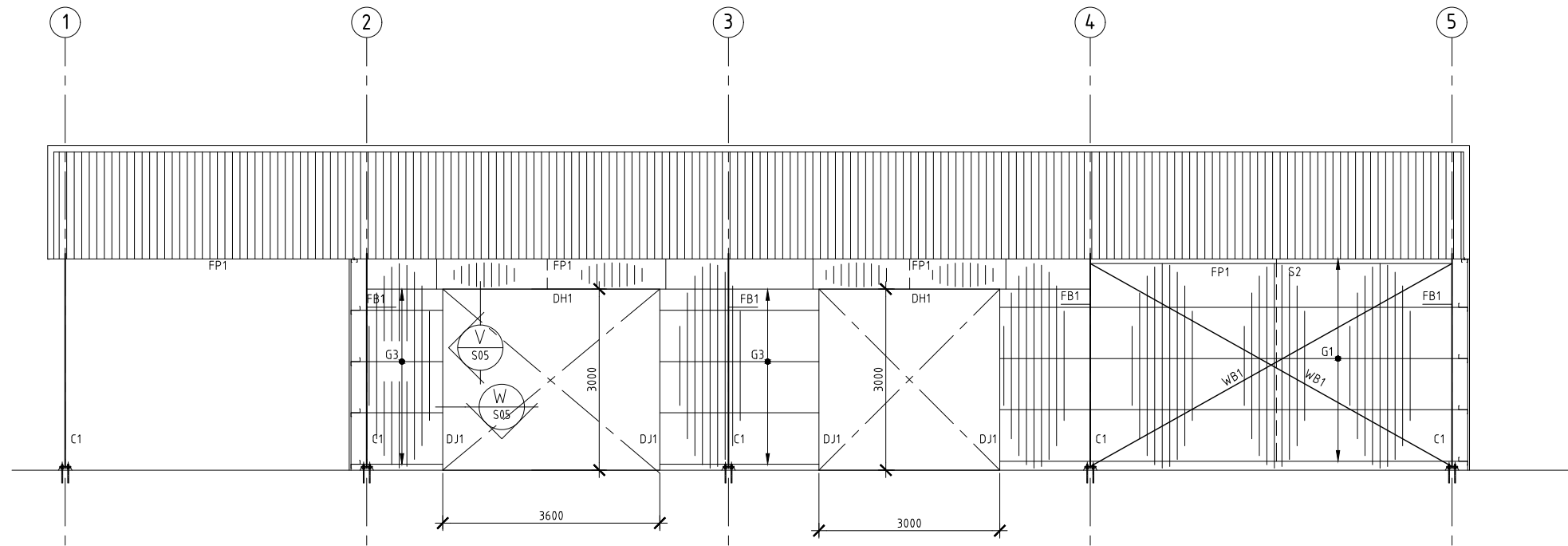
SCALE	CONTRACTOR
NOTED	
ORIGINAL SHEET SIZE	A1

COPYRIGHT
Steve McKenzie Consultant Engineer Pty Ltd.
All rights reserved.
This work is covered by Copyright and cannot be reproduced or copied in any form or by any means (graphic, electronic, mechanical, photocopying or photographic) without the written permission of Steve McKenzie Consultant Engineer Pty Ltd. Any licence, express or implied, to use this document for any purpose whatsoever is restricted to the terms of the written agreement between Steve McKenzie Consultant Engineer Pty Ltd and the instructing party.

smce
STEVE MCKENZIE CONSULTANT ENGINEER
ACN 092 795 130
18 Ingham Rd West End Qld 4810
T (07) 4724 4551
E admin@smce.net.au

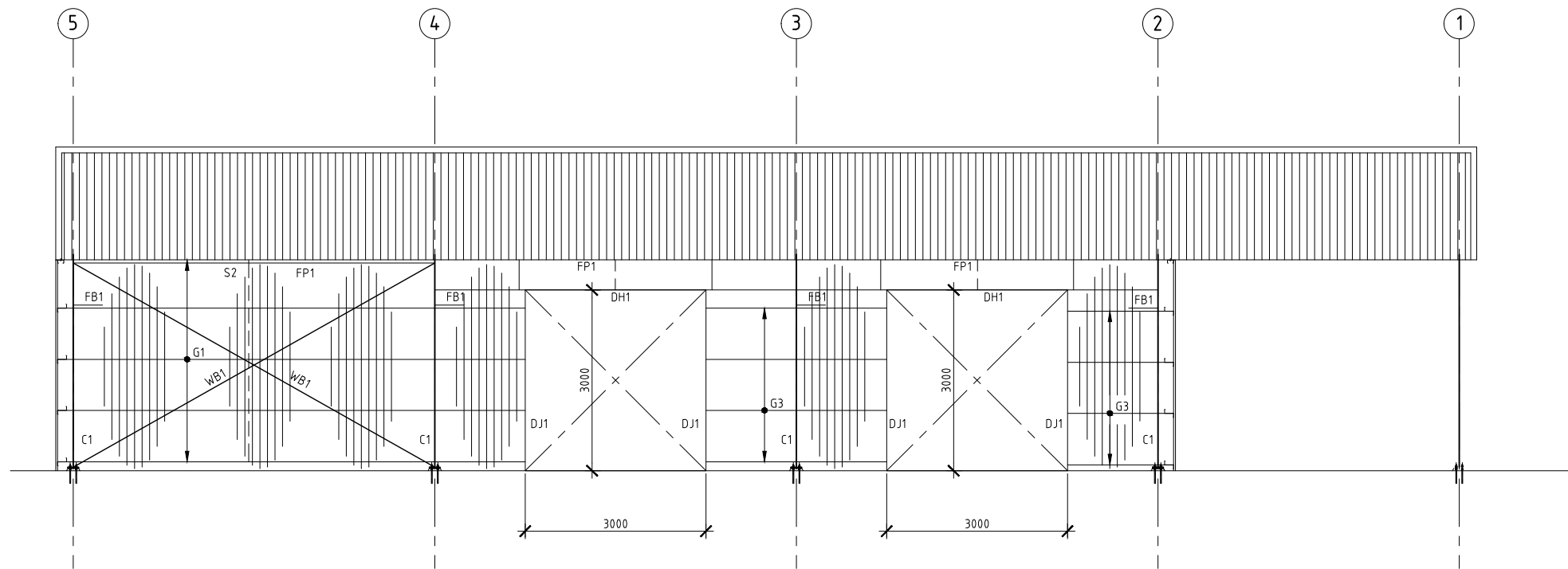
CLIENT
WAYNE JENSEN
PROJECT
PROPOSED SHED
39 BARANG STREET
KURANDA

DRAWING NAME				ELEVATIONS (SHEET 1 OF 2)		
SIGNED:		RPEQ No. 4956		DATE:		
TASK	BY	INITIAL	DATE	PROJECT NUMBER	DRAWING NUMBER	REVISION
REVIEW	SMcK	SM	06.04.20	19195WJ	S03	A
DESIGN	SMcK	SM	06.04.20			
DRAWN	MJM	MJM	06.04.20			



ELEVATION ON GRID A (VIEWED FROM INSIDE)

SCALE: 1 : 100 AT A1



ELEVATION ON GRID E (VIEWED FROM INSIDE)

SCALE: 1 : 100 AT A1

GIRT SCHEDULE:


- G1 - Z15019 @ 1000 MAX. CRS., ONE ROW BRIDGING
- G3 - Z15019, NO BRIDGING
- DH1 - C15019

STATUS		PRELIMINARY	
A	PRELIMINARY	MJM	06.04.20
REV	DESCRIPTION	DRAWN	DATE

SCALE	CONTRACTOR
NOTED	
ORIGINAL SHEET SIZE	
A1	

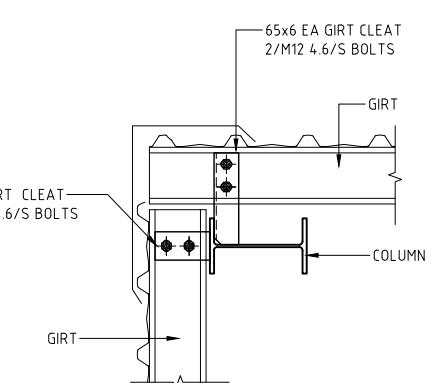
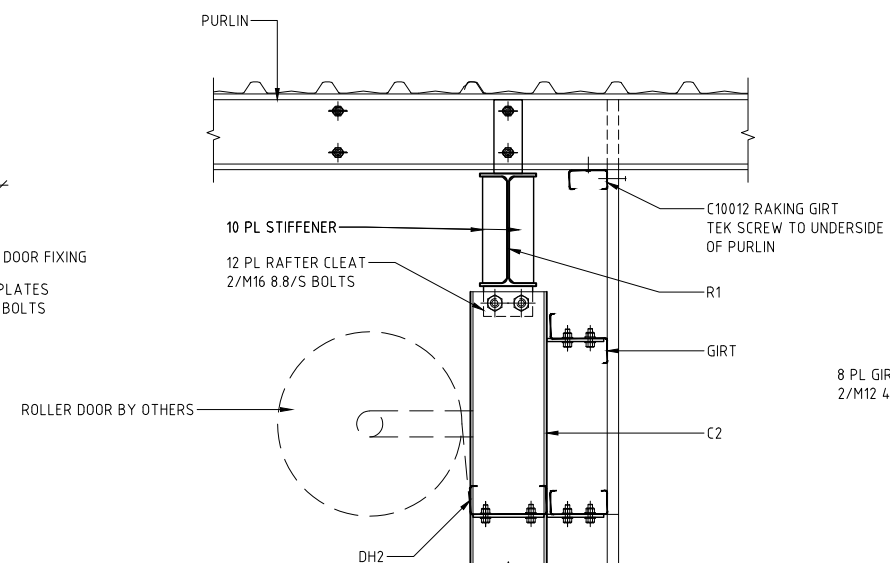
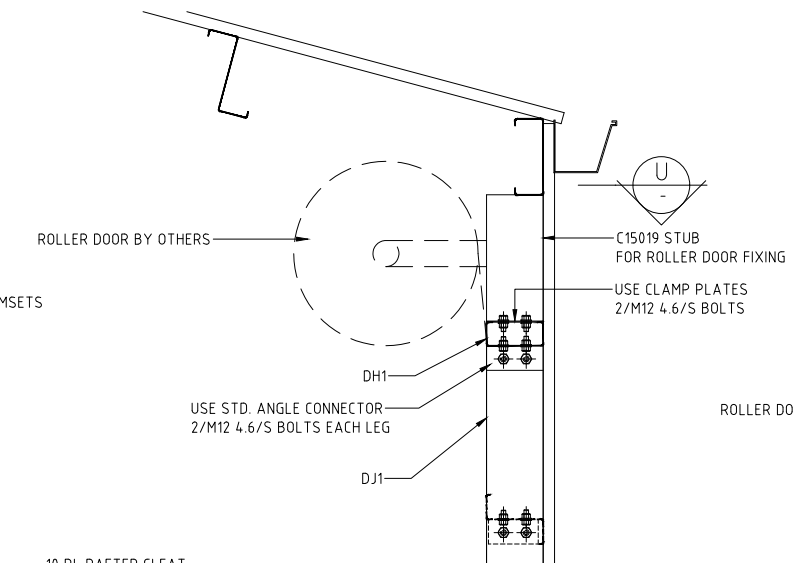
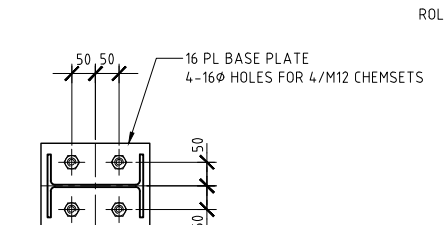
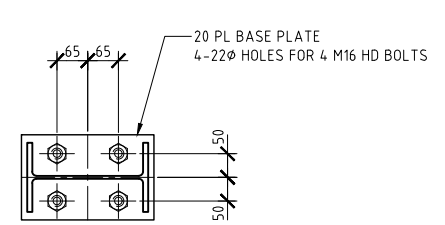
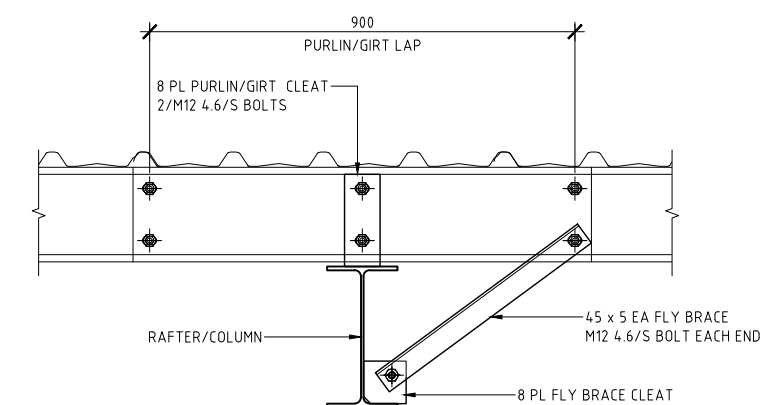
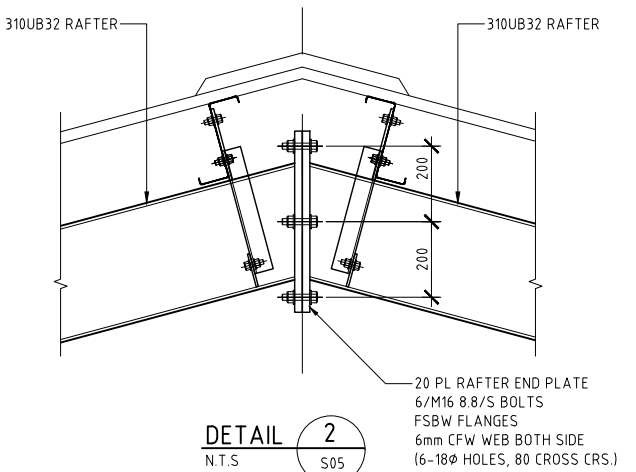
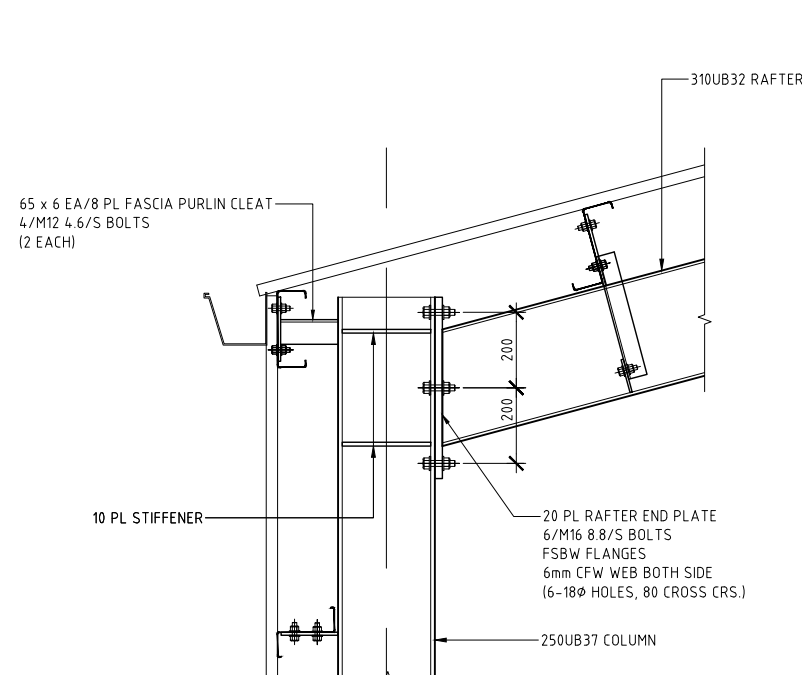
COPYRIGHT
 Steve McKenzie Consultant Engineer Pty Ltd.
 All rights reserved.
 This work is covered by Copyright and cannot be reproduced or copied in any form or by any means (graphic, electronic, mechanical, photocopying or photographic) without the written permission of Steve McKenzie Consultant Engineer Pty Ltd. Any licence, express or implied, to use this document for any purpose whatsoever is restricted to the terms of the written agreement between Steve McKenzie Consultant Engineer Pty Ltd and the instructing party.

smce
 STEVE MCKENZIE CONSULTANT ENGINEER
 A/CN 492 705 134
 18 Ingham Rd PO Box 3425
 West End Qld 4810 Hermit Park Qld 4812
 T (07) 4724 4551 F (07) 4724 1187
 E admin@smce.net.au



CLIENT	WAYNE JENSEN
PROJECT	PROPOSED SHED 39 BARANG STREET KURANDA

DRAWING NAME				ELEVATION (SHEET 2 OF 2)		
SIGNED:		RPEQ No. 4956		DATE:		
TASK	BY	INITIAL	DATE	PROJECT NUMBER	DRAWING NUMBER	REVISION
REVIEW	SMcK	SM	06.04.20	19195WJ	S04	A
DESIGN	SMcK	SM	06.04.20			
DRAWN	MJM	MJM	06.04.20			



COLUMN C1 BASE PLATE DETAIL
N.T.S.

COLUMN C2 BASE PLATE DETAIL
N.T.S.

SECTION V
N.T.S. S03

SECTION X
N.T.S. S03

SECTION Y
N.T.S. S03

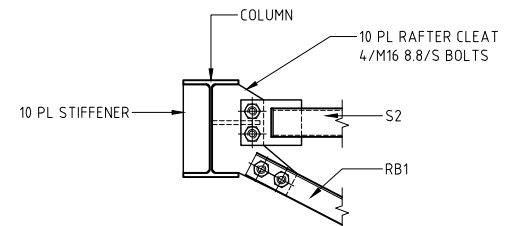
STRUT/ROOF BRACE TO RAFTER
CONNECTION PLAN DETAIL @ GRID B
N.T.S.

STRUT/ROOF BRACE TO RAFTER
CONNECTION PLAN DETAIL @ GRID C
N.T.S.

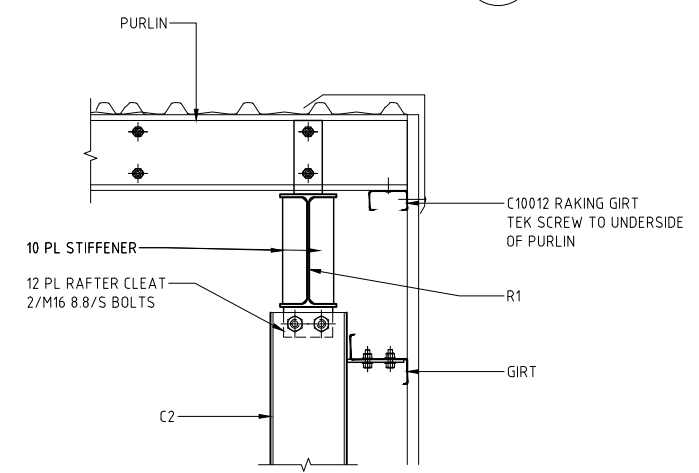
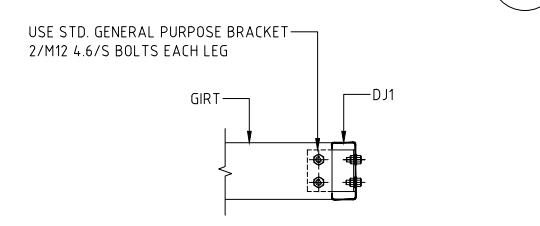
DOOR JAMB DJ1 TO FLOOR PLAN DETAIL
N.T.S.

SECTION W
N.T.S. S03

SECTION Z
N.T.S. S03



STRUT/ROOF BRACE TO COLUMN
CONNECTION PLAN DETAIL
N.T.S.



STATUS	PRELIMINARY		
SCALE	NOTED		
CONTRACTOR	ORIGINAL SHEET SIZE		
CONTRACTOR	A1		
REV	DESCRIPTION	DRAWN	DATE
A	PRELIMINARY	MJM	06.04.20

SCALE	CONTRACTOR
NOTED	
ORIGINAL SHEET SIZE	A1

COPYRIGHT
Steve McKenzie Consultant Engineer Pty Ltd.
All rights reserved.
This work is covered by Copyright and cannot be reproduced or copied in any form or by any means (graphic, electronic, mechanical, photocopying or photographic) without the written permission of Steve McKenzie Consultant Engineer Pty Ltd. Any licence, express or implied, to use this document for any purpose whatsoever is restricted to the terms of the written agreement between Steve McKenzie Consultant Engineer Pty Ltd and the instructing party.

smce
STEVE MCKENZIE CONSULTANT ENGINEER
ACN 492 795 130
18 Ingham Rd West End Qld 4810
T (07) 4724 4551 F (07) 4724 1187
E admin@smce.net.au

CLIENT: WAYNE JENSEN
PROJECT: PROPOSED SHED 39 BARANG STREET KURANDA

DRAWING NAME: CONNECTION DETAILS			
SIGNED:	RPEQ No. 4956	DATE:	
TASK	BY	INITIAL	DATE
REVIEW	SMcK	SM	06.04.20
DESIGN	SMcK	SM	06.04.20
DRAWN	MJM	MJM	06.04.20
PROJECT NUMBER	19195WJ	DRAWING NUMBER	S05
REVISION			A